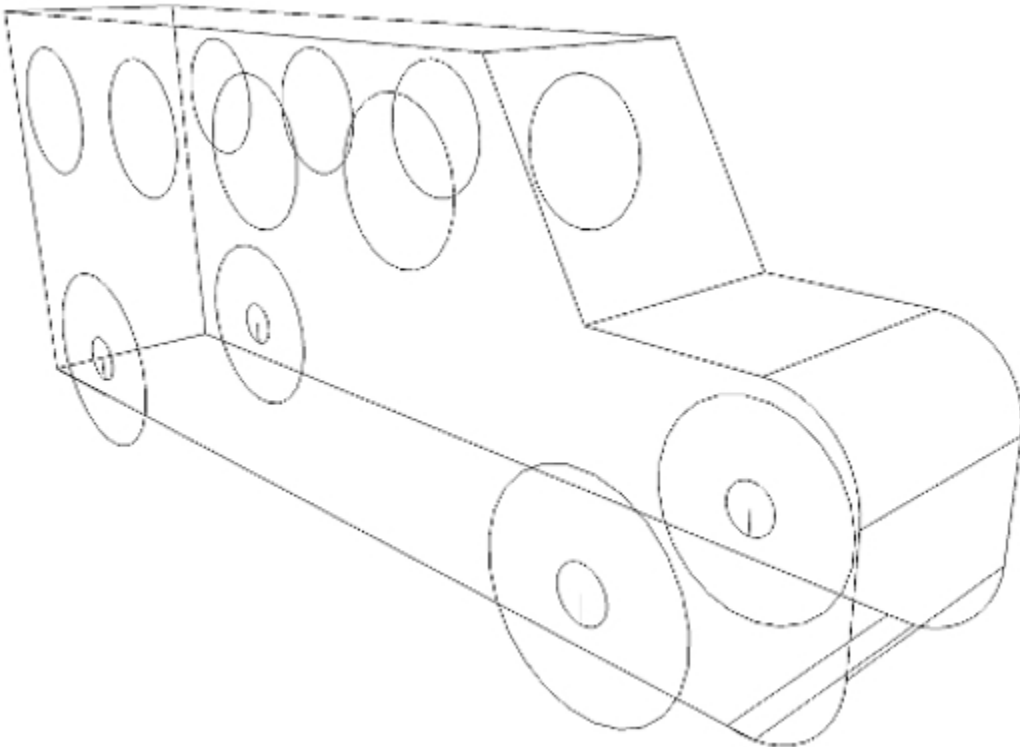


WWCH February 2019 Toy of the Month



Hummer



Instructions

Please remember to work safely.

This is one way to make the Hummer. You may have to adapt to the tooling you have available to you. Always use the tools and procedures that make the most sense to you.

1. Make a template from the attached full size pattern. 1/8" scrap or old file folders are a couple of materials you could use.
2. You'll need a stock of 8 1/2" long by 3 1/4" high by 1 1/2" width. It's designed to be made from a 2X4, but any sizable piece of stock will do.
3. Use the template to outline the truck on the material and drill holes for the axle locations. You'll probably need a 7/32" bit for the axles.
4. I'm using a scroll saw. Use this or a band saw to cut just outside the template pattern lines for the Hummer.
5. Drill the 7/32" holes for the axles through the template as a guide.
6. Sand to the lines.
7. Round the edges with a sander or round over bit. Up to a 1/4 radius round over bit can be used for this step.
8. Sand to 220 grit. The objective here is to provide a smooth, comfortable, splinter-free toy for small hands.
9. Wipe all surfaces and see if any areas need more sanding. Repeat as needed.
10. Leave with no finish to allow for customization of a paint job by child. Otherwise, use beeswax or other approved finish.
11. Attach the wheels and axles. Remember to leave the wheels far enough away from the body that they will roll easily. Kids may try to race them.
12. Keep the best Hummer for yourself or your favorite child and turn the rest in at a future meeting.

We at the Toy Group of the WWCH would like to thank you for participating in our toy making charitable activity. These toys will bring smiles to the less privileged children of our area.

Hummer – Profile Plan – To Scale

